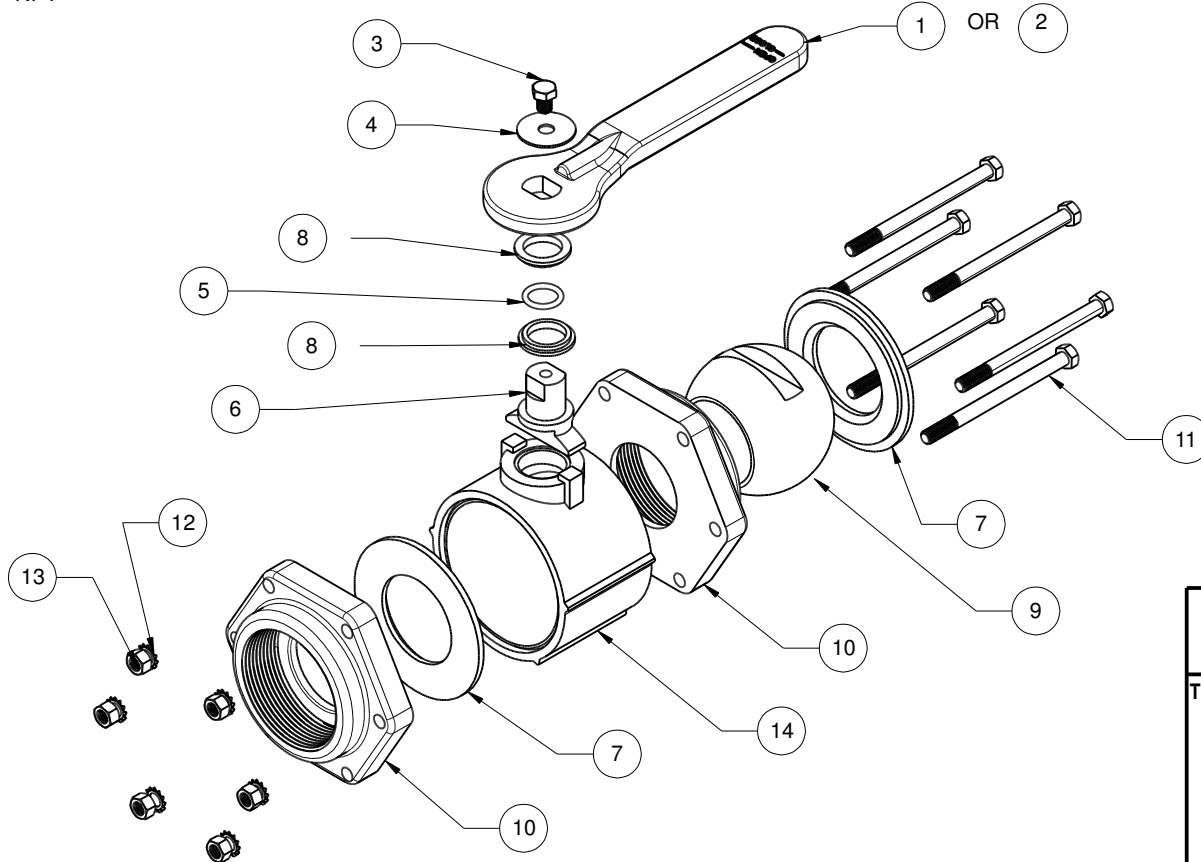


ITEM NO	QUANTITY	DESCRIPTION	PART NO
1	1	HANDLE, RED POLYPROP	4L102-00
2	1	**HANDLE, YELLOW POLYPRO	4L102-10
3	1	SS BOLT, HANDLE	4H029-00
4	1	SS WASHER, HANDLE	4H011-00
5	1	VITON O-RING, SHAFT	4H039-00
6	1	SHAFT, POLYPRO	4S302-00
7	2	SEAT, POLYTEF	4S102-20
8	2	BEARING, POLYTEF	4B302-20
9	1	BALL, POLYTEF	4B102-00
10	2	END CAP, POLYPRO	4E105-00
11	6	BOLT, CAD	4H009-00
12	6	WASHER, CAD	4H019-00
13	6	NUT, CAD	4H027-00
14	1	BODY, POLYPRO	4B202-00

** 4111F-20 = VALVE W/ YELLOW HANDLE



BEE VALVE, INC		
TITLE/DESC		
BOLTED BALL VALVE 3" SP		MATERIAL SEE PARTS TABLE
DATE 04/26/17	PART NO 4011F-20	REV 11/25/17

THIS DOCUMENT CONTAINS PROPRIETARY INFORMATION AND MAY NOT BE DISCLOSED TO OTHERS FOR ANY PURPOSE, NOR USED FOR MANUFACTURING PURPOSES WITHOUT THE WRITTEN PERMISSION OF BEE VALVE INC